

L/LS/GA

Reinforcing and Skewable Angles

L — Staggered nail pattern reduces the possibility for splitting.

LS — Field-adjustable 0° to 135° angles. The GA gusset angles' embossed bend section provides added strength.

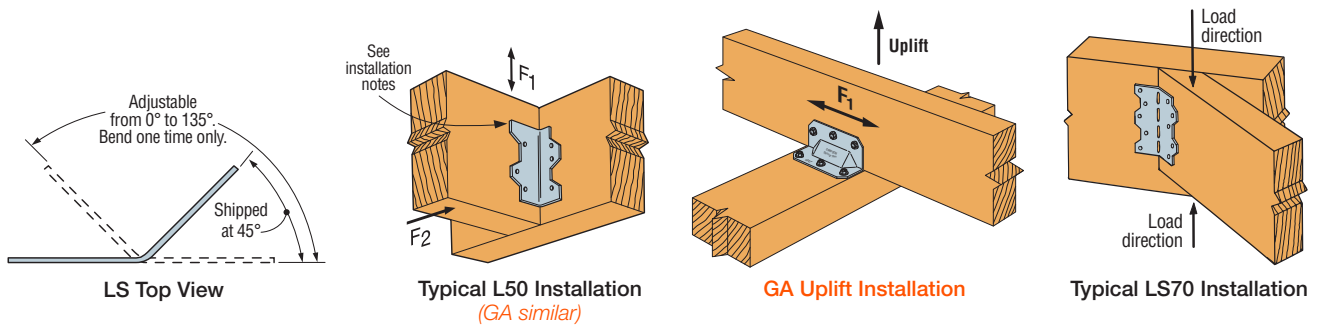
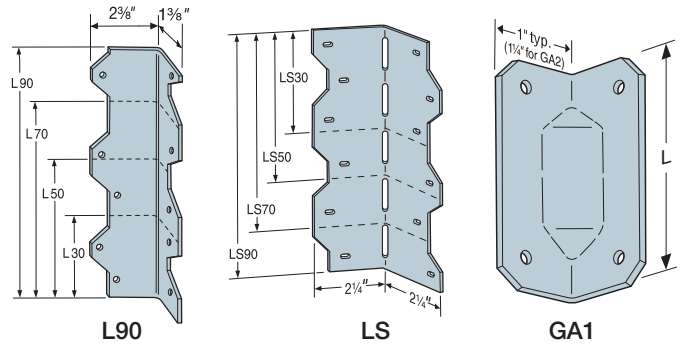
Material: L — 16 gauge; GA and LS — 18 gauge

Finish: Galvanized. Some products available in stainless steel or ZMAX® coating. See Corrosion Information, pp. 15–18.

Installation:

- Use all specified fasteners; see General Notes
- LS — Field skewable; bend one time only
- Joist must be constrained against rotation (for example, with solid blocking) when using a single LS per connection
- Nail the L angle's wider leg into the joist to ensure table loads and allow correct nailing

Codes: See p. 14 for Code Reference Key Chart



These products are available with additional corrosion protection. For more information, see p. 18.

These products are approved for installation with the Strong-Drive® SD Connector screw. See pp. 39–40 for more information.

Model No.	Fasteners	L (in.)	Load Direction	DF/SP Allowable Loads				SPF/HF Allowable Loads				Code Ref.
				Floor (100)	Snow (115)	Roof (125)	Wind/ Seismic (160)	Floor (100)	Snow (115)	Roof (125)	Wind/ Seismic (160)	
GA1	(4) 10d x 1 1/2"	2 3/4	F ₁ , F ₂	235	270	290	330	200	230	250	285	IP1, L5, L18, FL
	(4) SD #9 x 1 1/2"		F ₁	340	375	375	375	225	260	280	325	
	(4) SD #9 x 1 1/2"		F ₂	340	390	430	435	225	260	280	360	
GA2	(6) 10d x 1 1/2"	3 1/4	F ₁ , F ₂	355	405	435	550	305	350	375	475	IP1, L5, L18, FL
	(6) SD #9 x 1 1/2"		F ₁	515	590	640	645	335	385	420	540	
	(6) SD #9 x 1 1/2"		F ₂	515	590	640	820	335	385	420	540	
L30	(4) 10d x 1 1/2"	3	F ₁ , F ₂	245	250	250	250	210	215	215	215	IP1, L5, FL
SS L50	(6) 10d x 1 1/2"	5	F ₁ , F ₂	365	415	445	555	315	355	385	475	
L70	(8) 10d x 1 1/2"	7	F ₁ , F ₂	485	550	595	740	415	475	510	635	
L90	(10) 10d x 1 1/2"	9	F ₁ , F ₂	610	690	740	925	525	595	635	795	
LS30	(6) 10d x 1 1/2"	3%	F ₁	325	325	325	325	280	280	280	280	IP1, L5, L18, FL
	(6) 10d		F ₁	355	395	395	395	305	340	340	340	
LS50	(8) 10d x 1 1/2"	4%	F ₁	475	540	565	565	410	465	485	485	
	(8) 10d		F ₁	475	540	585	730	410	465	505	630	
LS70	(10) 10d x 1 1/2"	6%	F ₁	595	640	640	640	510	550	550	550	
	(10) 10d		F ₁	595	675	730	915	510	580	630	785	
LS90	(12) 10d x 1 1/2"	7%	F ₁	715	810	845	845	615	695	725	725	
	(12) 10d		F ₁	715	810	875	1,040	615	695	755	895	

1. GA angles may be installed with 10d nails.
2. GA1 installed with SD9 screw — uplift is 425 lb. for DF and is 300 lb. for SPF.
3. GA2 installed with SD9 screw — uplift is 370 lb. for DF and is 260 lb. for SPF.
4. **Fasteners:** 10d = 0.148" dia. x 3" long; 10d x 1 1/2" = 0.148" dia. x 1 1/2" long; SD #9 x 1 1/2" = 0.131" dia. x 1 1/2" long. See pp. 26–27 for other nail sizes and information.